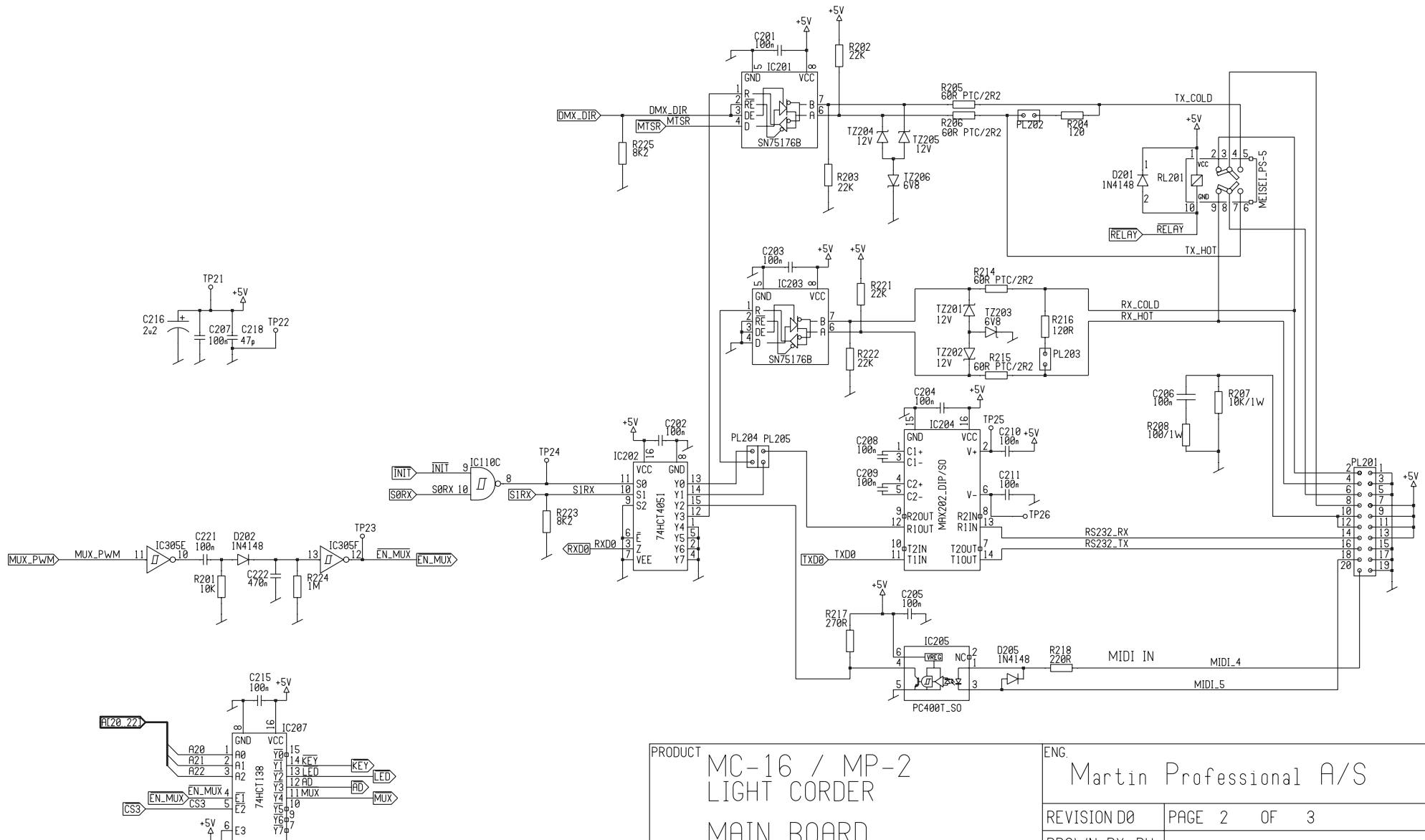
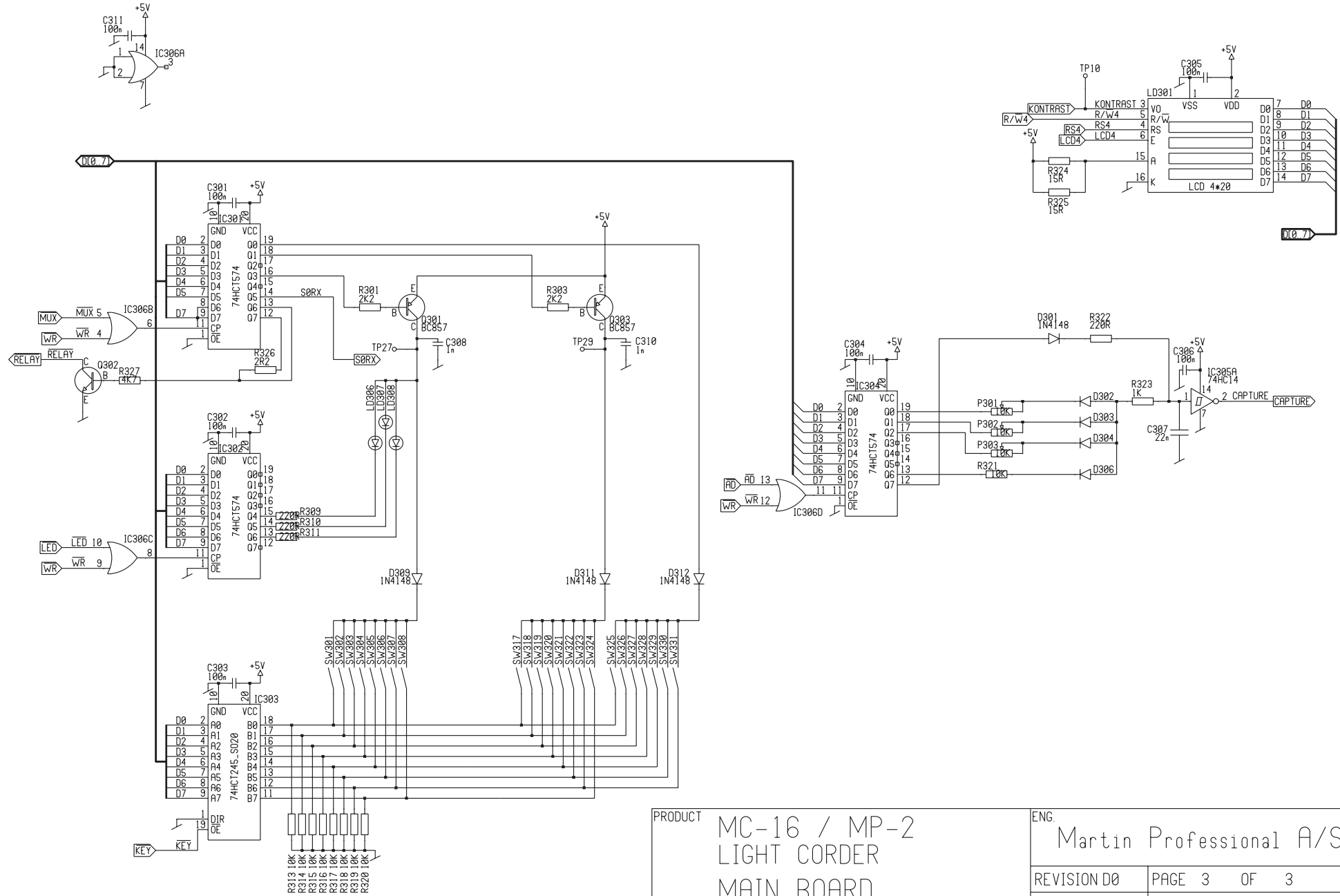


PRODUCT MC-16 / MP-2 LIGHT CORDER MAIN BOARD		ENG. Martin Professional A/S	
NAME 101515E0.SCH / 101515E.PCB		REVISION E0	PAGE 1 OF 3
DRAWN BY BK		DATE 29/11/01 TIME 17:08	



PRODUCT		MC-16 / MP-2	
		LIGHT CORDER	
		MAIN BOARD	
NAME		811310D0.SCH / 101310D.PCB	
ENG.		Martin Professional A/S	
REVISION D0	PAGE 2	OF 3	
DRAWN BY BH			
DATE 29/11/01	TIME 17:09		



PRODUCT		MC-16 / MP-2 LIGHT CORDER MAIN BOARD		ENG.		Martin Professional A/S	
NAME		811310D0.SCH / 101310D.PCB		REVISION D0		PAGE 3 OF 3	
				DRAWN BY BH			
				DATE 29/11/01		TIME 17:09	